

Introduction

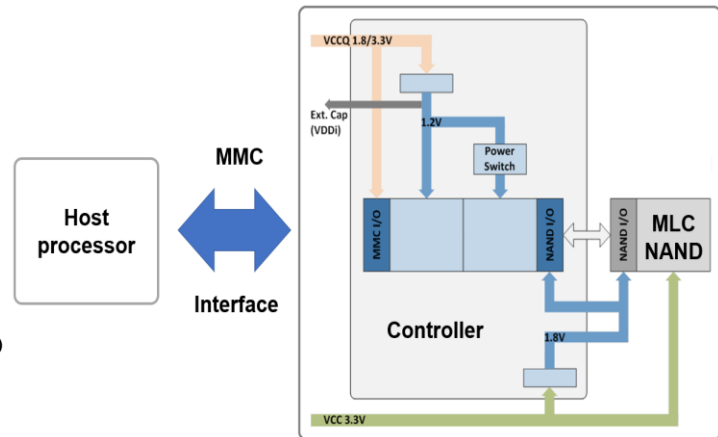
JSC's eMMC device is a highly integrated and low power eMMC controller specifically designed for embedded NAND flash applications. It supports JEDEC eMMC 5.1 industry standard and newly introduced functions such as Command Queuing and Strobe Enhanced in HS400.

The JSC's eMMC device provides high random-access speed, advanced flow control capability and more powerful power. The hardware ECC engine implements intelligent flash management and improves the MLC NAND flash endurance. With enhanced vendor command support and embedded test modes, the JSC's eMMC device offers high flexibility for customized usage and failure analysis.

eMMC Key Features

- eMMC 5.1 Interface
 - : Boot, RPMB HS400, Field Firmware Update, Power Off Notification, Device Health Report etc.
- Enhanced Strobe feature
- Full backward compatibility with previous Multimedia Card system specification
- Error free memory access
- Write Leveling
- High reliability of MLC NAND
- Packages: 153-ball BGA (Small Package Available)
- Long-term support

Functional Diagram



eMMC Product Line up

Density	eMMC Ver.	Stack	NAND Type	Package Type	Part Number
4GB	eMMC 5.1	1-Stack	MLC NAND	153FBGA (11.5x13mm)	JSMC04AUM1ASAEA-H5
8GB	eMMC 5.1	1-Stack	MLC NAND	153FBGA (11.5x13mm)	JSMC08AUM1ASAEA-H5I

If you have any question or inquiry, please contact to JSC sales team

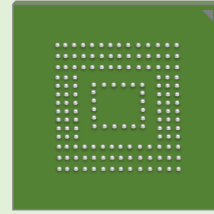
E-mail : sales@jeju-semi.com

Homepage : www.jeju-semi.com

JSC

eMMC Memory

JSC
eMMC
Memory



JSC



■ Application

Featured with all the functional strengths, high reliability and stability, and multiple power saving modes, the JSC's eMMC device can well serve the needs of a wide variety of wearable/portable devices such as Smartwatch, Tablet, and other emerging embedded applications.

The JSC eMMC product family also can widely use many kinds of consumer product such as home appliance, CCTV, set top box and so on.

