

Introduction

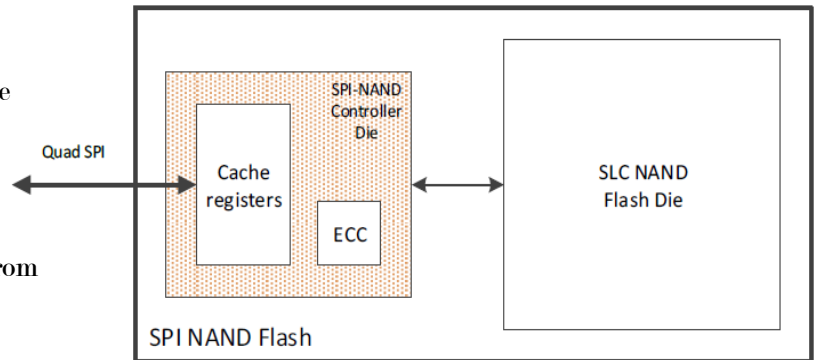
The JSC SPI NAND Series are a high performance and low power product designed for Serial SLC NAND flash storage applications. It fully supports 120MHz Quad SPI bus protocol to achieve data throughput of up to 480Mbps in a low pin-count package.

User-configurable embedded/on-die ECC engine enables efficient flash management and improves the endurance of NAND flash.

SPI NAND Product Features

- Density: 1Gb/2Gb/4Gb/8Gb
- Supports up to 120MHz serial interface
- Embedded ECC engine
- Advanced feature
 - Automatic the 1st page loading after stable power-up of NAND devices
- High performance (1Gb)
- Voltage: 1.8V, 3.3V
- Temperature: -40°C to +85°C
- Read ID, unique ID and parameter page from NAND devices
- Packages: 8-LGA, 8 WSON
- Long-term support

Functional Block Diagram



Application

The JSC SPI NAND product can widely use many kinds of consumer product such as IP Camera, CCTV and so on. We can also provide high reliability and cost competitiveness and various package & test solution for global customer.



[IP Camera]



98 million
network surveillance cameras will be shipped globally through professional sales channels



Almost 29 million
HD CCTV surveillance cameras will be shipped globally through professional sales channels



400,000
body worn cameras will be shipped to law enforcement agencies globally



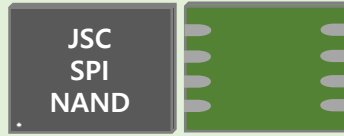
[CCTV]



[Wearable Device]



[IoT Module]



SPI NAND Product Line-up

Density	Voltage	Package Type	Page Size	Spare Area	Part Number	Status
1Gb	1.8V	8-LGA (8.x6mm)	2K page	64 byte	JS28P1GQSCAHG-83	M/P
1Gb	3.3V	8-LGA (8.x6mm)	2K page	64 byte	JS28U1GQSCAHG-83	M/P
2Gb	1.8V	8-LGA (8.x6mm)	2K page	128 byte	JS28P2GQSDAHG-83	M/P
2Gb	3.3V	8-LGA (8.x6mm)	2K page	128 byte	JS28U2GQSDAHG-83	M/P
4Gb	3.3V	8-LGA (8.x6mm)	2K page	128 byte	JS28U4GQSJAHG-83	M/P
4Gb	3.3V	8-LGA (8.x6mm)	4K page	256 byte	JS28U4GQSKAHG-83	M/P
8Gb	3.3V	8-LGA (8.x6mm)	2K page	128 byte	JS28U8GQSJAHG-83	M/P
8Gb	3.3V	8-LGA (8.x6mm)	4K page	256 byte	JS28U8GQSKAHG-83	M/P

If you have any question or inquiry, please contact to JSC sales team

E-mail : sales@jeju-semi.com

Homepage : www.jeju-semi.com